

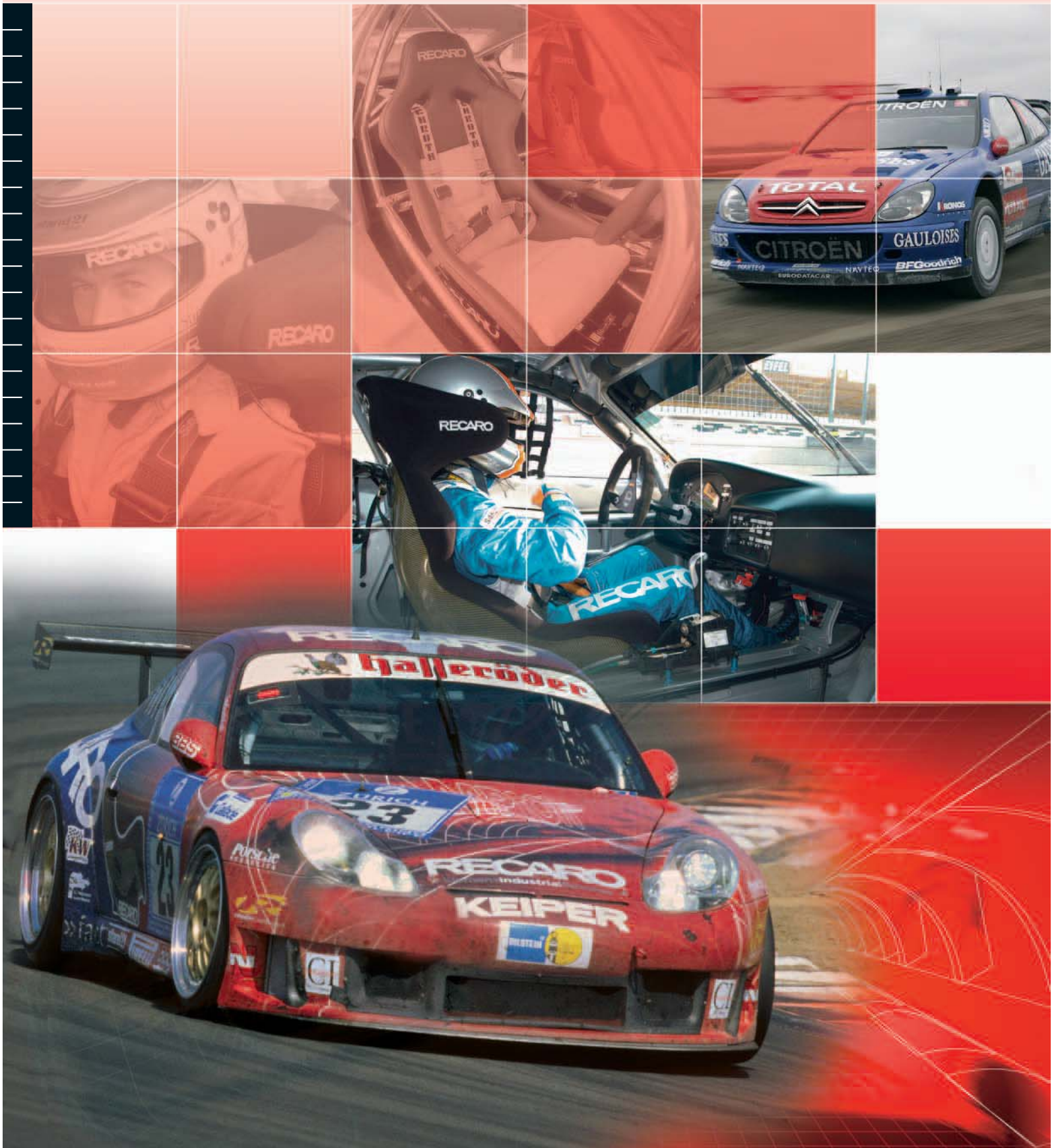
RECARO

Racing shells



Safety, quality and excellent comfort – a new dimension in seating

Racing and Winning





There's no substitute for experience.

This phrase doesn't only apply to drivers on a racetrack. RECARO's race shells represent 100 years of know-how and company tradition, combined with over 30 years in motorsport. Gain a head-start, rely on RECARO's unrivalled seat technology.

To be successful in motorsport requires total commitment. To make this commitment a driver must have absolute faith in the quality and dependability of his equipment. That's why decades of champions have placed their trust 100% in the safety, expertise and experience of RECARO. Our race shells offer outstanding product benefits, their superb design, unique construction, the use of high-quality materials and excellent processing - the manufacturing process combines the latest technology with traditional hand-craft, so quality is guaranteed!

RECARO produces its race shells from two special materials, either high strength, glass fibre reinforced plastic (GRP) or ultra-light Carbon-Kevlar®, which achieves the highest possible strength through its structure. When designing its seats, RECARO subjects them to the most rigorous test programme. Once approved, the finest manufacturing process, tried and tested in aircraft manufacture are used, for example, all RECARO Carbon-Kevlar® racing shells are produced in an autoclave. This process provides the shells with their extreme load-bearing

capacity, whilst maintaining the lowest possible weight. The latest in modern technology is applied to make sure the material is protected during the final processing steps. One prime example is the trimming, which is carried out by a computer-controlled high-pressure water cutter.

The latest crash tests on a wide range of shells have paid impressive testimony to the overall quality and safety of RECARO's race shells, which not only satisfy, but exceed; each and every aspect of the FIA requirements.

Often Copied but Never Equalled – Winners sit in RECARO!

Quality without compromise:

- All RECARO SPA Carbon-Kevlar® racing shells are manufactured in an autoclave.
- All RECARO racing shells are exclusively hand made.
- "Made in Germany" quality.



Feel the difference

Race to win. We'll take care of your safety.

You have absolute confidence in your ability – as we have in our seats. For decades, more top drivers and champions in all of the important national and international racing series have relied on the safety and performance of RECARO race shells. The feedback received from these champions has been integrated into our product development, which has been further enhanced in association with our own RECARO racing team.

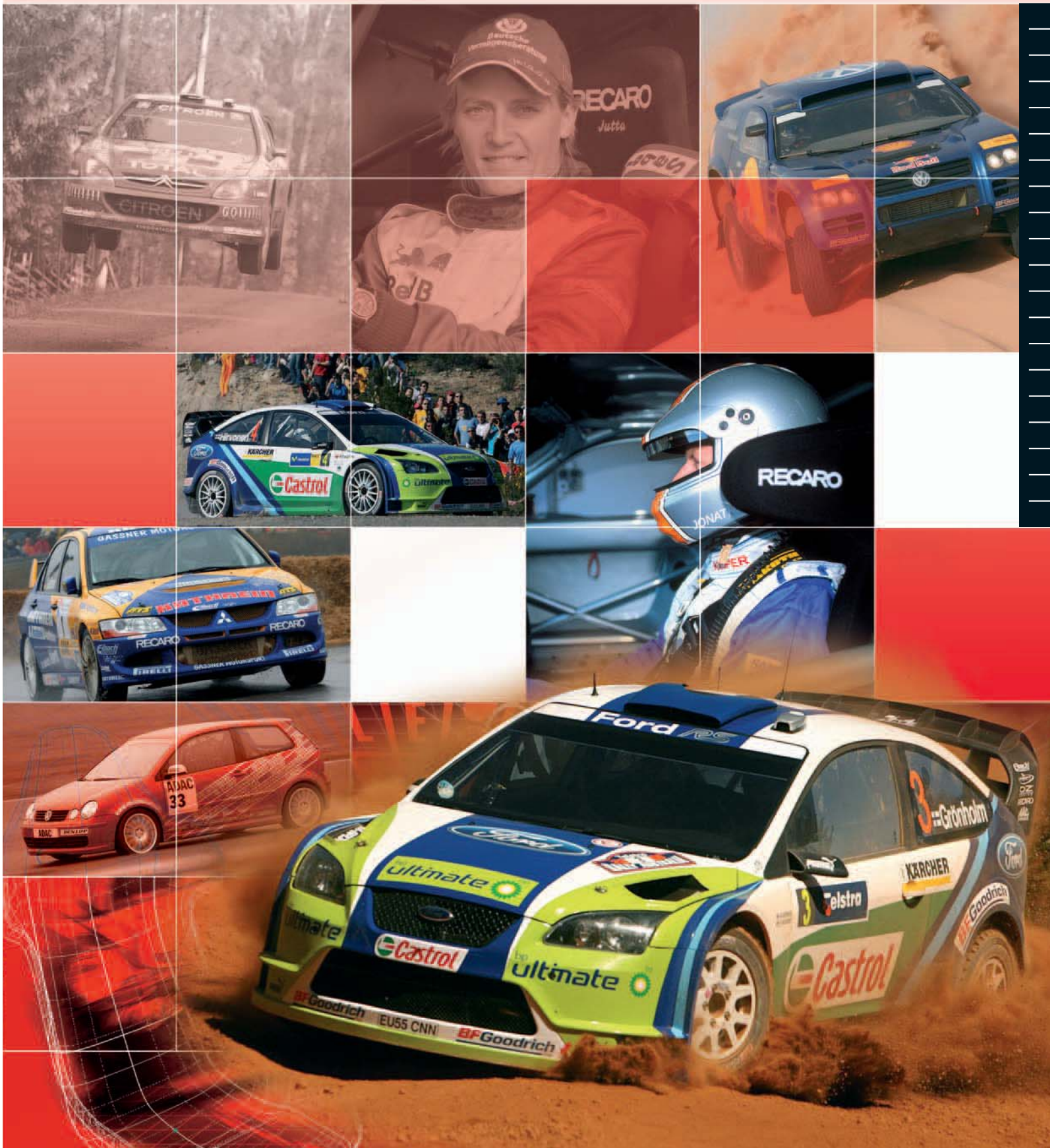
During a race, your concentration should focus purely on driving. RECARO makes sure that's where it stays. **RECARO race shells withstand the most extreme loads, whilst their unique design offers the driver an excellent seat position and unrivalled safety in every situation. Close cooperation with drivers and race engineers gives RECARO a unique insight into the**

requirements of both the driver and the team, giving us a headstart in terms of design features, safety and seat technology, so you can also benefit from our success. Winners sit in RECARO for good reason. The host of international accolades – in the following motorsport series – speak for themselves:

- *WRC*
- *Rallye-Raid*
- *DRM*
- *VLN – BFGoodrich Long Distance Championship*
- *24-hours at Le Mans/Nürburgring/Spa*
- *Japan GT*
- *ALMS*
- *ADAC-Procar*
- *VW Polo Cup*

- *Ford Fiesta ST Cup*
- *LMES*
- *WTCC*
- *DTM/DTC*
- *VW Polo Cup*
- *Ford Fiesta ST Cup*
- *BTTC*
- *and any more*





RECARO Apex



Integrated headrest with outline embroidered logo

Specially designed shoulder support for optimum lateral hold

Well-defined side support for excellent location

Full GRP Composite seat shell construction

Designed to accept a 4-, 5- or 6-point harness

Requires optional FIA approved Steel sidemount

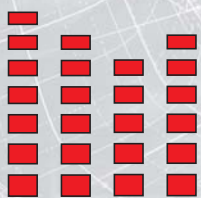


Accessories (at additional cost):

FIA-homologated sidemounts, double locking runners (see page 18).

Great Features – Attractive Price.

Its not only the price of this entry-level GRP composite shell that makes it so attractive, it offers all the features and benefits you only get from a 'genuine RECARO'.



RECARO Profi SPG



Specially designed shoulder support for optimum lateral hold

Well-defined side support for excellent location

Full GRP Composite seat shell construction



Integrated headrest with fully embroidered logo

Friction grip surface in the shoulder area

Designed to accept a 4-, 5- or 6-point harness

Requires optional FIA approved Steel sidemount

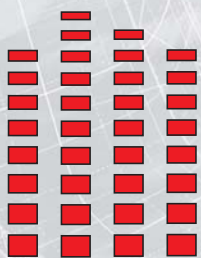


Extras (at additional cost): Seat material (see page 17).

Accessories (at additional cost): FIA-homologated sidemounts, double locking runners, seat cushions (see page 18).

The choice of champions.

This professional GRP composite shell has special friction grip surfaces in the shoulder area that makes it an excellent choice for use in rallying and circuit racing.



RECARO Profi SPG XL



Specially designed shoulder support for optimum lateral hold

Friction grip surface in the shoulder and seat area

Well-defined side support for excellent location

Full GRP Composite seat shell construction

35 mm wider shell than Profi SPG



Integrated headrest with fully embroidered logo

Special belt guides to cover the widest possible range of applications

65 mm shell higher than Profi SPG

Designed to accept a 4-, 5- or 6-point harness

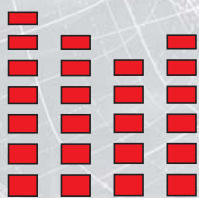
Requires optional FIA approved Aluminium sidemount



XL-shell for the larger driver!

Extras (at additional cost): Seat material (see page 17).

Accessories (at additional cost): FIA-homologated sidemounts, double locking runners, seat cushions (see page 18).



The choice of champions – especially for the larger driver.

This GRP composite shell has been specially designed for the larger driver, being 35 mm wider and 65 mm higher than the standard version and comes with larger belt guides.

RECARO Profi SPA



Integrated headrest with fully embroidered logo

Friction grip surface in the shoulder and seat area

Specially designed shoulder support for optimum lateral hold

Well-defined side support for excellent location

Ultra-lightweight shell constructed in full Carbon-Kevlar® CFK composite

Higher cushion bolsters than Profi SPG

Designed to accept a 4-, 5- or 6-point harness

Requires optional FIA approved Steel sidemount



Accessories (at additional cost): FIA-homologated sidemounts, double locking runners, seat cushions (see page 18).



The choice of champions.

Manufactured from high-quality Carbon-Kevlar® CFK composite, this shell for the motorsport professional satisfies the most exacting requirements in both quality and safety. It has friction grip surfaces in the shoulder and seat area, distinct side padding and more pronounced lateral support than the Profi SPG model.

RECARO Furious



Integrated headrest with outline embroidered logo

Specially designed shoulder support for optimum lateral hold

35 mm wider for more comfort

Full GRP Composite seat shell construction

Designed to accept a 4-, 5- or 6-point harness

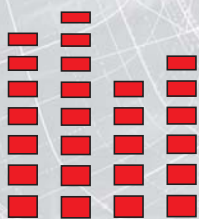
Requires optional FIA approved Steel sidemount



Accessories (at additional cost): FIA-homologated sidemounts, double locking runners (see page 18).

Great features – attractive price.

Seat constructed from GRP composite. Well-defined seat cushion and seat back bolsters offer optimum vehicle control in all driving situations.



RECARO Pole Position (FIA)



Specially designed shoulder support for optimum lateral hold

Full GRP Composite seat shell construction

Lumbar cushions for individual support of the spinal column

Integrated headrest with fully embroidered logo

Well-defined seat cushion and seat back bolsters for optimum vehicle control in all driving situations

Designed to accept a 4-, 5- or 6-point harness

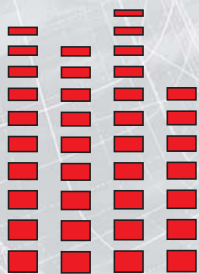
Requires optional FIA approved Steel sidemount



Accessories (at additional cost): FIA-homologated sidemounts, double locking runners, seat cushions (see page 18).

Our universal race shell for all motorsports applications.

Seat constructed from GRP composite. The pronounced seat cushion and seat back bolsters offer optimum vehicle control in extreme driving situations.



RECARO Pro Racer SPG HANS



The extensive headguard ensures extra protection in an accident or extreme lateral loads

Friction grip surface in the shoulder and seat area

Full GRP Composite seat shell construction

Full ergonomic support in the lumbar zone

Designed to accept a 4-, 5- or 6-point harness



Shock-absorbing foam for increased safety

Special belt guides for HANS system

Optimised shell geometry

Requires optional FIA approved Steel sidemount

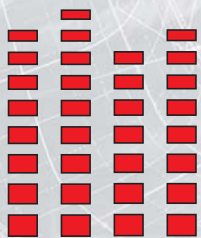


Optimised for HANS system

More info on HANS: www.hansdevice.com

Accessories (at additional cost):
FIA-homologated sidemounts, double locking runners, seat cushions (see page 18).

HANS systems with angles from 20° to 30° are perfect for use in RECARO HANS seats. We strongly advise you to consult an authorised dealer before selecting the complete HANS equipment.



The ultimate professional racing shell for HANS system.

RECARO Pro Racer SPG HANS: Seat constructed from GRP composite. Optimum interplay between HANS system, harness, helmet and seat, in order for the HANS system to achieve its full potential.

RECARO Pro Racer SPG HANS XL



The extensive headguard ensures extra protection in an accident or extreme lateral loads

Friction grip surface in the shoulder and seat area

Full GRP Composite seat shell construction

Full ergonomic support in the lumbar zone

Designed to accept a 4-, 5- or 6-point harness



Shock-absorbing foam for increased safety

Special belt guides for HANS system

Optimised shell geometry

Shell 35 mm wider than the Pro Racer SPG HANS

Requires optional FIA approved Steel sidemount

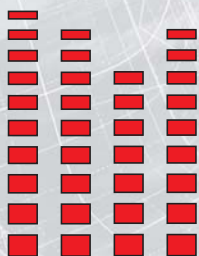


Optimised for HANS system

More info on HANS: www.hansdevice.com

Accessories (at additional cost):
FIA-homologated sidemounts, double locking runners, seat cushions (see page 18).

HANS systems with angles from 20° to 30° are perfect for use in RECARO HANS seats. We strongly advise you to consult an authorised dealer before selecting the complete HANS equipment.



The ultimate professional racing shell for HANS system – Specially designed for the larger driver.

RECARO Pro Racer SPG HANS XL: Specially designed for the larger driver + 35 mm width.

Seat constructed from GRP composite. Optimum interplay between HANS system, harness, helmet and seat, in order for the HANS system to achieve its full potential.

RECARO Pro Racer SPA HANS



The extensive headguard ensures extra protection in an accident or extreme lateral loads

Friction grip surface in the shoulder and seat area

Ultra-lightweight shell constructed in full Carbon-Kevlar® CFK composite

Full ergonomic support in the lumbar zone

Designed to accept a 4-, 5- or 6-point harness



Shock-absorbing foam for increased safety

Special belt guides for HANS system

Optimised shell geometry

Requires optional FIA approved Steel sidemount



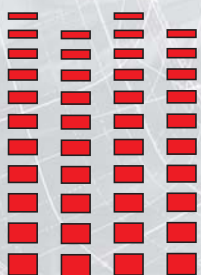
Optimised for HANS system

More info on HANS: www.hansdevice.com

Accessories (at additional cost):

FIA-homologated sidemounts, double locking runners, seat cushions (see page 18).

HANS systems with angles from 20° to 30° are perfect for use in RECARO HANS seats. We strongly advise you to consult an authorised dealer before selecting the complete HANS equipment.



The ultimate professional racing shell for HANS system.

RECARO Pro Racer SPA HANS: Constructed from Carbon-Kevlar® composite.

Optimum interplay between HANS system, harness, helmet and seat, in order for the HANS system to achieve its full potential.

RECARO Pro Racer SPA HANS XL



The extensive headguard ensures extra protection in an accident or extreme lateral loads

Friction grip surface in the shoulder and seat area

Ultra-lightweight shell constructed in full Carbon-Kevlar® CFK composite

Full ergonomic support in the lumbar zone

Designed to accept a 4-, 5- or 6-point harness



Shock-absorbing foam for increased safety

Special belt guides for HANS system

Optimised shell geometry

Shell 35 mm wider than the Pro Racer SPA HANS

Requires optional FIA approved Aluminium sidemount



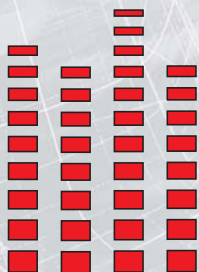
Optimised for HANS system

More info on HANS: www.hansdevice.com

HANS systems with angles from 20° to 30° are perfect for use in RECARO HANS seats. We strongly advise you to consult an authorised dealer before selecting the complete HANS equipment.

Accessories (at additional cost):

FIA-homologated sidemounts, double locking runners, seat cushions (see page 18).



The ultimate professional racing shell for HANS system – Specially designed for the larger driver.

RECARO Pro Racer SPA HANS XL: Specially designed for the larger driver + 35 mm width.

Seat constructed from **Carbon-Kevlar® composite**. Optimum interplay between HANS system, harness, helmet and seat, in order for the HANS system to achieve its full potential.

RECARO Pole Position (ABE/TUV)

With ABE/TUV

ABE/TUV with 3-point seatbelt for:

Audi: A3 (8L, 8P), A4 (8E), A6 (4F)

BMW: BMW Mini (R50), BMW 3er (E46, 346L), BMW M3 (E46)

Ford: Fiesta (JH1), Focus (DAW, DBW, DFW, DNW, DA3, DB3), Fusion (JU2)

Mercedes-Benz: C-Klasse (W203), CLK (W209), E-Klasse (W211), SLK (R170)

Opel: Astra G, Meriva, Signum, Vectra C

Porsche: 911 (996), Boxster (986)

Seat: Altea (5P)

VW: Golf IV (1J), Bora (1J), Golf Variant (1J), Golf V (1K), Golf Plus (1KP), Jetta (1KM), New Beetle (9C), Passat (3C), Polo (9N), Touran (1T)

Further information on the individual vehicles can be obtained from your specialist dealer.

Notice: RECARO Sidemounts and vehicle-specific baseframe required at additional cost.



Integrated headrest for reliable head protection

Seat shell manufactured from GRP Composite

Specially designed shoulder support for optimum lateral hold

The latest cover variants in attractive designs

Lumbar cushions for individual support of the spinal column

Belt slots specially modified allowing use of standard 3-point seat belt

ABE/TUV sidemounts aluminium (option)



ABE/TUV sidemounts steel (option)

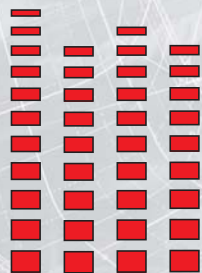


No FIA-homologation

Extras (at additional cost): Coverings (see page 18), specified seat material.

Note: Seat must be fitted by an authorised dealer, use of child seats not permitted, side airbag omitted.








Accessories (at additional cost): Sidemounts, double locking runners, seat cushion (see page 18), Baseframes.







The only race shells with ABE/TUV approval.

Pure sports – the RECARO Pole Position with ABE/TUV. Turn your car into a luxury “race vehicle” with our distinctive shell shape and a choice of cover materials. The only race shell to gain the coveted ABE/TUV approval, designed specifically for use on both the track and road, the ultimate trackday seat. ABE/TUV approved for the specified vehicles. **Additional vehicles soon to be released.**

Cover choice

RECARO Coverings						
Velours	Artista	Nardo	Saturn	Dinamica Suede	Ambia-Leather	Leather
						
<p>Velours: The robust and easy-care material that is also used to cover the RECARO racing shells for motorsport.</p>	<p>Artista: The timelessly elegant material for refined visual appearance in the vehicle interior. Guarantees longevity and durability.</p>	<p>Nardo: In combination with the Artista covers, these extremely durable materials ensure longevity of the side bolsters.</p>	<p>Saturn: The 3D effect, rubber-burled cover ensures striking visual appearance and effectively prevents slipping in the seat.</p>	<p>Dinamica Suede: The exclusive, suede-effect cover is highly durable and easy-care. Makes for a high-quality and sporty ambience in the vehicle.</p>	<p>Ambia-Leather: RECARO's artificial leather is a high-quality alternative to real leather. Highly-durable and easy-care.</p>	<p>Leather: RECARO's leather is a high-quality natural product and satisfies exacting requirements for the vehicle interior.</p>











RECARO Profi SPG			RECARO Profi SPG XL		
Fabrics (Series)			Fabrics (Series)		
					
Velours black	Velours blue	Velours red	Velours black	Velours red	

RECARO Pole Position (FIA)			
Fabrics (Series)			Leather
			
Velours black	Velours blue	Velours red	Leather black

RECARO Pro Racer SPG HANS and HANS XL, Pro Racer SPA HANS and HANS XL, Profi SPA, Apex, Furious				
Fabrics (Series)				
				
Velours black	Velours black	Velours black	Velours black	Velours black

Cover choice/Accessories

RECARO Pole Position (ABE/TUV) – no FIA-homologation

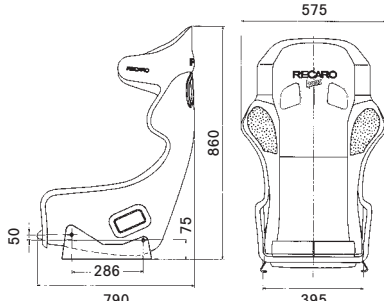
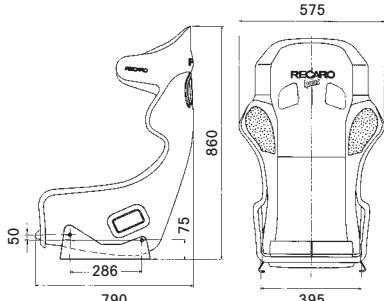
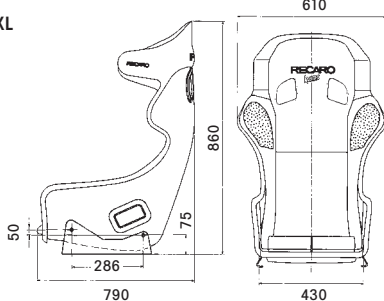
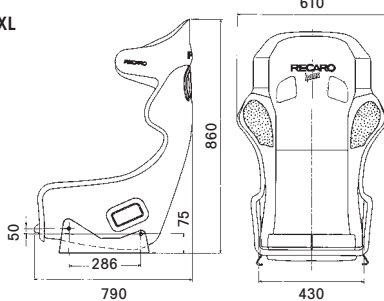
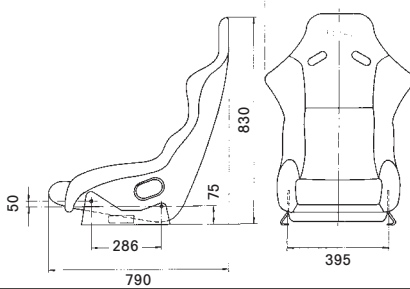
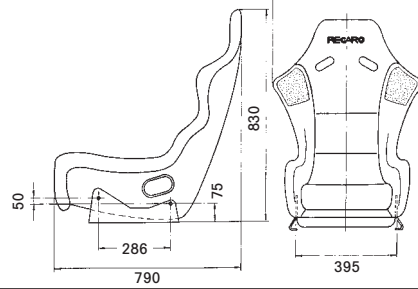
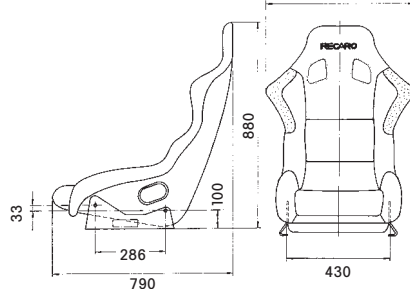
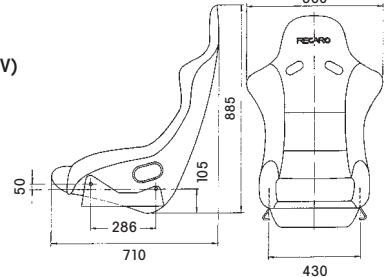
Fabrics (Series)			Fabrics	Ambia-Leather/suede-effect			
							
Velour black	Velour blue	Velour red	Nardo black	Ambia-Leather black	Ambia-Leather black	Ambia-Leather black	
			Artista black	Dinamica Suede red	Dinamica Suede blue	Dinamica Suede beige	
Ambia-Leather/suede-effect		Leather					
							
Ambia-Leather black	Ambia-Leather black	Leather black					
Dinamica Suede beige	Dinamica Suede silver						

Accessories RECARO racing shells

			
Aluminium ABE/TUV sidemount for Pole Position (ABE/TUV). FIA approved for Profi SPG XL & Pro Racer SPA HANS XL	Steel ABE/TUV sidemount for Pole Position (ABE/TUV). FIA approved for Pro Racer SPG HANS XL	Steel sidemount for Apex, Profi SPG, Profi SPA, Pro Racer SPG/SPA HANS	Steel sidemount for Pole Position (FIA) & Furious
			
Double locking runners (for all racing shells)	Padding for RECARO Pro Racer SPG/SPA HANS, height approx. 25 mm (only in black nylon velour)	Padding for RECARO Profi SPA, Pro Racer SPG/SPA HANS, height approx. 55 mm (only in black nylon velour)	Padding for RECARO Profi SPG and Pole Position (only in black nylon velour)



Technical data

RECARO racing shells	
Seat shell of glass fibre reinforced plastic material GRP	Seat shell of Carbon-Kevlar® material CFK
<p>RECARO Pro Racer SPG HANS Gross weight: 10,0 kg</p> 	<p>RECARO Pro Racer SPA HANS Gross weight: 4,5 kg</p> 
<p>RECARO Pro Racer SPG HANS XL Gross weight: 11,0 kg + 35 mm width</p> 	<p>RECARO Pro Racer SPA HANS XL Gross weight: 5,0 kg + 35 mm width</p> 
<p>RECARO Profi SPG Gross weight: 6,5 kg</p> <p>RECARO Apex Gross weight: 6,5 kg</p> 	<p>RECARO Profi SPA Gross weight: 4,0 kg</p> 
<p>RECARO Profi SPG XL Gross weight: 9,0 kg</p> 	<ul style="list-style-type: none"> • Dimensions in mm • Gross weight: final weight of seat fully trimmed • RECARO racing shells can be individually fitted to nearly all racing cars • With the exception of FIA/ASN-approved events, not approved for use on public roads (except Pole Position (ABE/TUV)) • RECARO Pole Position (ABE/TUV) has a general operating licence • FIA-homologation 8855-1999 only valid in conjunction with the specified RECARO Adapter • RECARO's sidemount adapter are designed to give a constant width between hole centres of 406 mm, irrespective of the different seat designs and widths (Note: correct sidemount adapter must be used)
<p>RECARO Furious</p> <p>RECARO Pole Position (ABE/TUV)</p> <p>RECARO Pole Position (FIA)</p> <p>Gross weight: 7,0 kg</p> 	

RECARO



RECARO UK Ltd.
Holly Farm Business Park
Honiley, Warwickshire CV8 1 NP
Phone: +44 (0) 845 260 8950, Fax: +44 (0) 845 260 8960
Internet: www.recaro.com, E-mail: info@recaro.co.uk

Id.-No. 7213861 • Status 02/07 • >> fact | factnet.de
RECARO®, RECARO Pole Position® are registered trade marks of RECARO GmbH & Co. KG. We reserve the right to make modifications in technology, colour, form and design. No liability for printing errors.

Leadplant:
RECARO GmbH & Co. KG
Stuttgarter Straße 73, D-73230 Kirchheim/Teck
Telefon: +49 (0) 70 21/93-52 08, Telefax: +49 (0) 70 21/93-53 39
Internet: www.recaro.com, E-Mail: info@recaro.com

RECARO GmbH & Co. KG
Competence Center Child Safety
Gutenbergstraße 2, D-95352 Marktregast
Telefon: +49 (0) 92 55/77-0, Telefax: +49 (0) 92 55/77-13
Internet: www.recaro.com, E-Mail: info@recaro.com